

Extreme Material-Handling Challenges - Require **EXTREME** Components!




# PRECISION

MACHINE & MANUFACTURING



## MODULAR ROTARY VALVE

Maximum **functionality**  
& **durability** in a single  
rebuildable rotary valve.

 [premach.com](http://premach.com)

**"Superior return on Investment"**



**Rotary Feeders • Rotary Valves • Screw Conveyors**



# The Only Fully Machined Rotary Valve In The World!

When it comes to metering minerals and/or powdery materials, such as Calcium Carbonate, Titanium Dioxide, and/or Talc to name a few, the modular rotary valve is hands-down the most effective option! Made from a specially formulated and domestically sourced abrasion resistant alloy, the Precision Rotary Valve offers superior functionality and durability! The only rebuildable, heavy-duty metering airlock in the world!

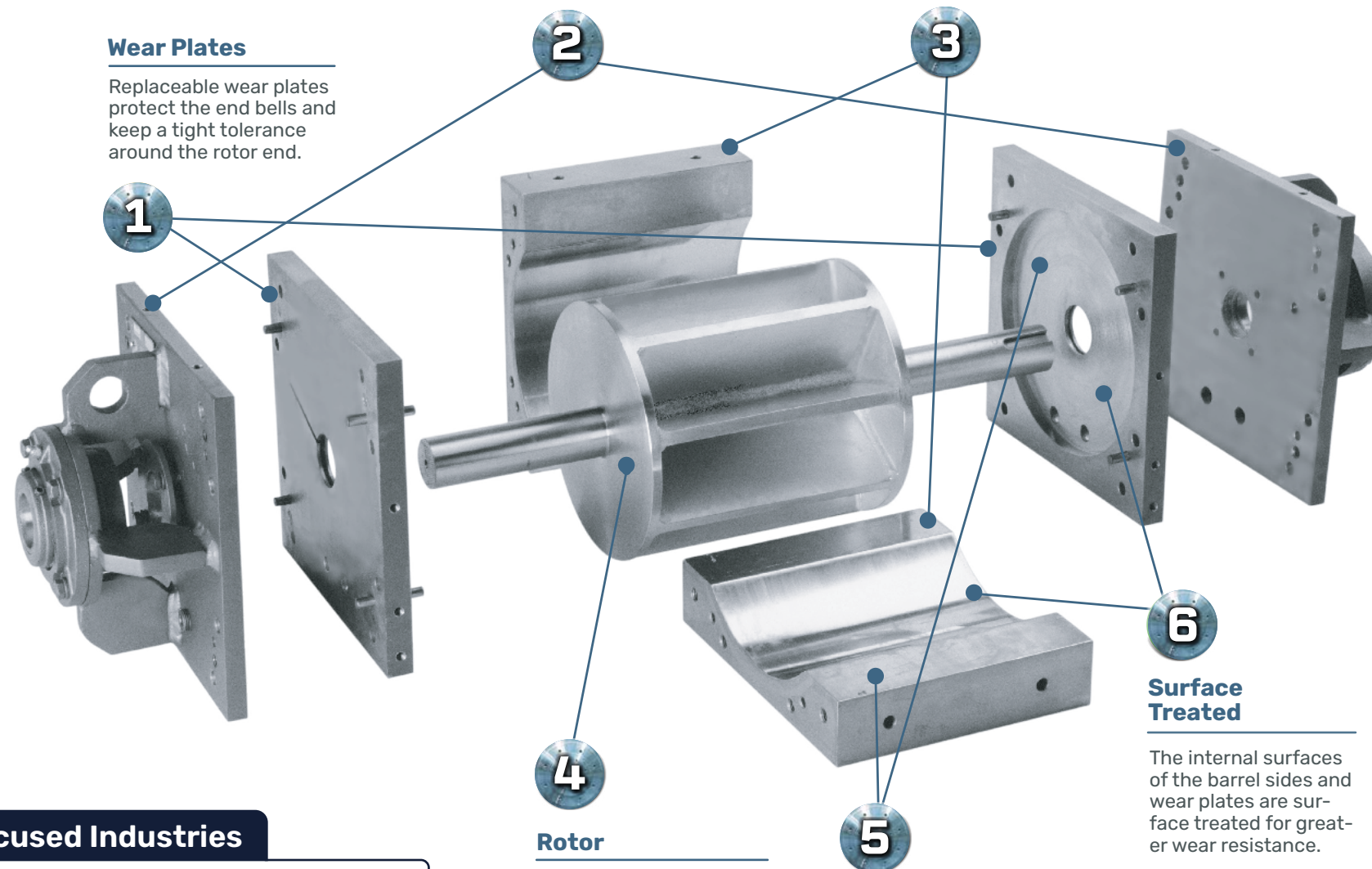


## MODULAR ROTARY VALVE

# What Makes the Rotary Valve Work

### Wear Plates

Replaceable wear plates protect the end bells and keep a tight tolerance around the rotor end.



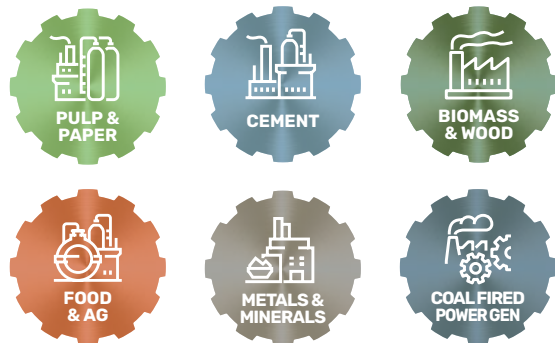
### End Bells

Precisely machined to maximize functionality and equipped with ultra-duty bearings to ensure superior functionality and durability!

### Barrel Sides

Except for the rotor, the barrel sides are the most subjective to wear. With this in mind, we manufacture all barrel sides from the most durable, abrasion-resistant alloy we can domestically source. With a **through-hardness** rating of 50 Rockwell, there is not a stronger rotary valve in the industry.

### Focused Industries



### Rotor

Made from a specially sourced 500 Brinell abrasion resistant alloy, this eight-pocket, closed-ended, rotor keeps the material flowing.

### Super-Tight Tolerances

The only fully machined rotary valve in the world! PMM's manufacturing standards allows our valves to achieve +/- 0.001" tolerance, which maximizes the airlock functionality!

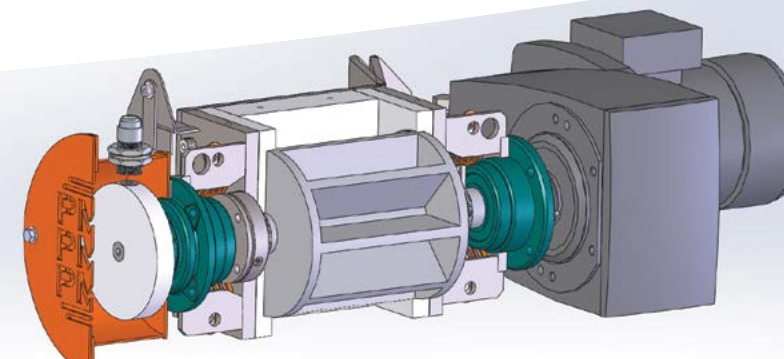
### Surface Treated

The internal surfaces of the barrel sides and wear plates are surface treated for greater wear resistance.

## Modular Design

The modular design makes assembly and disassembly a breeze! Because our rotary valves are manufactured to simplify the repair and rebuild process, wear items can be easily replaced during a scheduled outage, which minimizes production downtime and cost.

No other rotary valve offers this level of functionality and durability in a rebuildable unit!



## MODULAR ROTARY VALVE Key Advantages

- ✓ **THERE IS A BETTER OPTION!** Eliminate those problematic, air-leaking, maintenance heavy, cast iron feeders with our superior performing rotary valve.
- ✓ Functional reliability avoids costly unscheduled downtime! Outage-to-Outage durability allows maintenance to be preplanned, which eliminates costly emergency shutdowns.
- ✓ Compact design is a "universal replacement" for competing models, which minimizes retrofitting.
- ✓ Tolerances are precisely machined to minimize air leakage and material blow-by.
- ✓ Modular design makes repairs simple! Due to the modularity and rebuild capability, Precision's Rotary Valve continues to provide a positive return on initial investment (ROI) for many years to come!

Precision Machine & Manufacturing's components are precisely crafted from raw materials that are made right here in the United States of America!  
Quality you can count on!



[premach.com](http://premach.com)

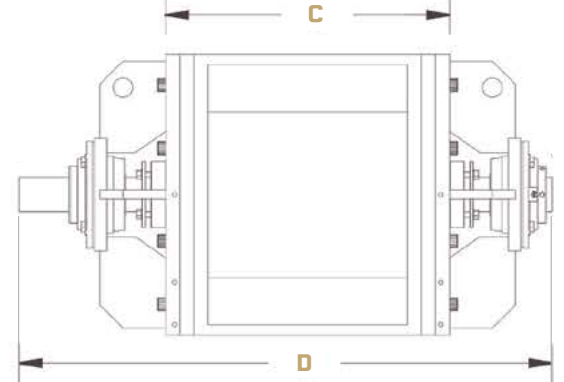
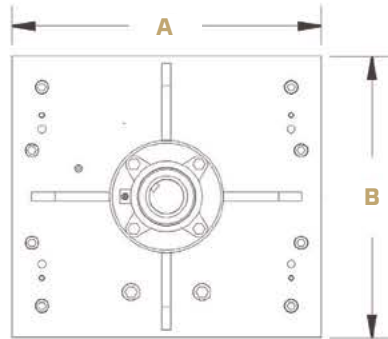
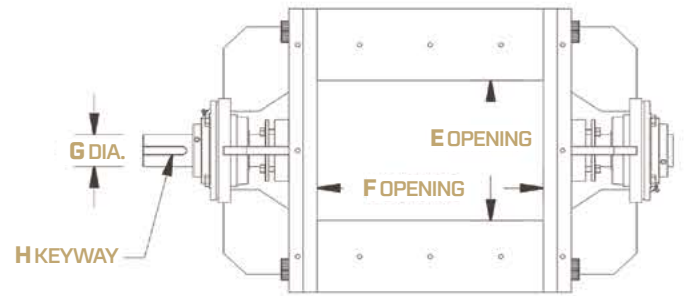
**Choose the right size for your unique material handling application.**

**SEVERE-DUTY**

Severe-Duty Rotary Valves are our standard rotary valves and the perfect solution when moving minerals, aggregates and other powdery, abrasive, corrosive, and high-temperature material types.

**ULTRA-DUTY**

Ultra-Duty Rotary Valves are for the most challenging material types! Ultra-Duty Rotary Valves are surface treated with ion-nitride to provide greater abrasion resistance and wear protection from the harshest materials.



SIZE	CAPACITY		DIMENSIONS [inches]					
	CFR	A	B	C	D	E	F	G
PMV-8	0.17	11.00	10.00	11.40	25.75	6.50	8.00	1.94
PMV-10	0.34	12.00	12.00	13.40	27.75	7.00	10.00	1.94
PMV-12	0.62	15.00	15.00	15.40	29.75	9.00	12.00	1.94
PMV-14	1.00	18.00	17.00	18.00	35.50	9.62	14.00	2.44
PMV-16	1.60	21.75	20.00	20.00	37.50	10.75	16.00	2.44
PMV-18	2.25	24.00	22.00	22.00	40.75	18.00	18.00	2.94
PMV-20	3.10	26.00	24.00	24.00	42.75	20.38	20.00	2.94
PMV-22	4.00	28.00	26.00	26.25	47.25	22.00	22.00	2.94
PMV-24	5.14	32.00	29.00	28.25	51.13	23.57	24.00	3.44
PMV-26	6.95	36.00	32.00	30.50	55.00	26.00	26.00	3.44
PMV-28	8.78	38.00	34.00	32.50	57.00	28.00	28.00	3.94



**CONTACT  
PRECISION  
TODAY**

For more information.

**541-484-9841**  
**sales@premach.com**



**PRECISION**  
MACHINE & MANUFACTURING

1290 S. Bertelsen Road, Eugene, OR 97402