

Extreme Material-Handling Challenges - Require **EXTREME** Components!



PRECISION
MACHINE & MANUFACTURING



SELF-CLEANING ROTARY VALVE

Solve the **most difficult material-handling issues** with Precision's Self-Cleaning Rotary Valve.

 premach.com

"Superior return on Investment"



Rotary Feeders • Rotary Valves • Screw Conveyors



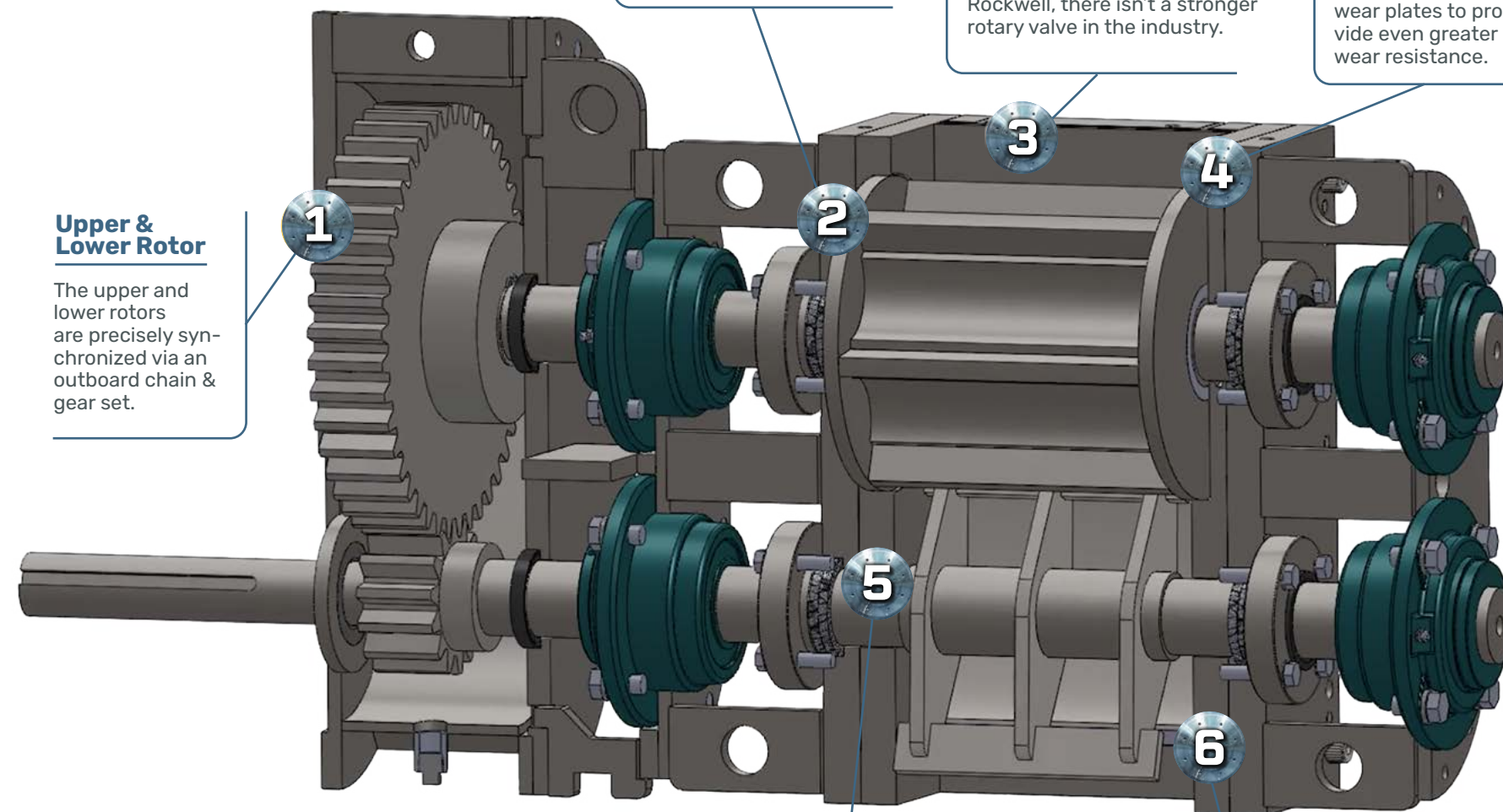
The Industry's First Self-Cleaning Rotary Valve!

Finally, a rotary valve specifically tailored for hard to handle materials such as wet, sticky, abrasive and/or corrosive material types. Precisely engineered to self-clean the rotor's pocket on every revolution. Precision's Self-Cleaning Rotary Valve is second to none when it comes to eliminating costly unscheduled plant downtime.



SELF-CLEANING ROTARY VALVE

What Makes the Self-Cleaning Rotary Valve Work



Upper & Lower Rotor

The upper and lower rotors are precisely synchronized via an outboard chain & gear set.

Upper Rotor

Made with rounded pockets and built from a specially U.S sourced 500 Brinell abrasion resistant alloy, this six-pocket, closed-ended upper rotor is built with durability and to maximize material throughput.

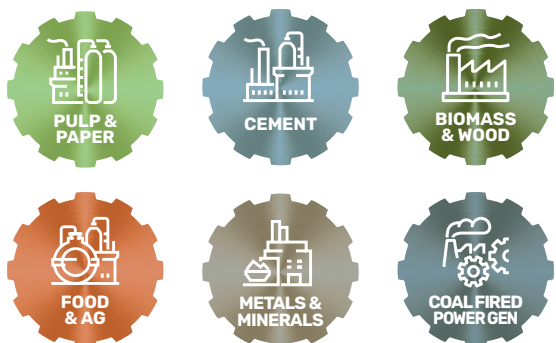
Barrel Sides

Except for the rotor, the barrel sides are the most subjective to wear. With this in mind, we manufacture all barrel sides from the most durable, abrasion-resistant alloy we can domestically source. With a **through-hardness** rating of 50 Rockwell, there isn't a stronger rotary valve in the industry.

Surfaced Hardened

In addition to being built with a superior abrasion-resistant and U.S sourced steel alloy, we also surface harden the barrel sides and wear plates to provide even greater wear resistance.

Focused Industries



Super-Tight Tolerances

The only fully machined rotary valve in the world! PMM's manufacturing standards allows our valves to achieve +/- 0.001" tolerance, which no other rotary valve in the industry can boast. These super tight tolerances minimize air flow and maximize the air-lock functionality.

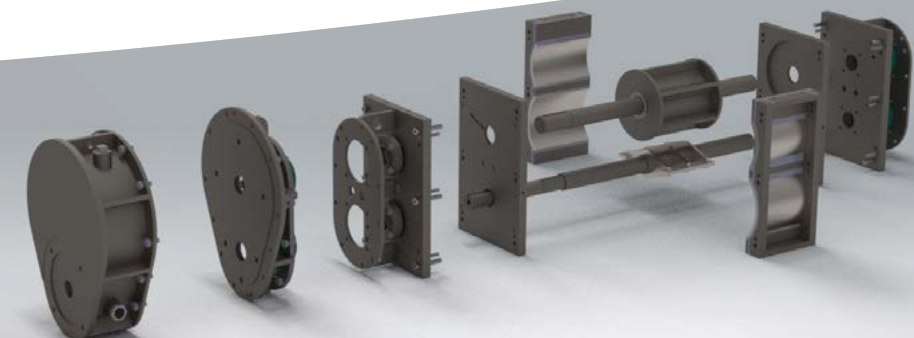
Bottom Rotor

The upper rotor is matched with a lower 2-3 arm open-frame sweeping rotor, which is precisely timed to clean out the upper rotor's pockets. This self-cleaning rotor eliminates material "packing" and keeps the materials flowing downstream, which keeps the operation running at peak efficiency.

Modular Design

The modular design makes assembly and disassembly a breeze! Because the self-cleaning rotary valve was manufactured to simplify the repair/rebuild process, wear items can now be replaced during a scheduled outage, which minimizes production downtime and cost.

No other rotary valve offers this level of functionality and durability in a rebuildable unit!



MODULAR ROTARY VALVE Key Advantages

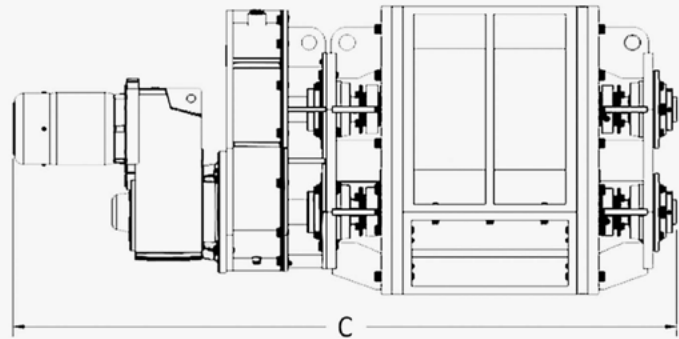
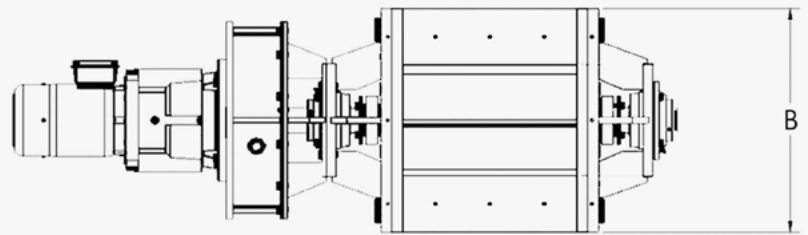
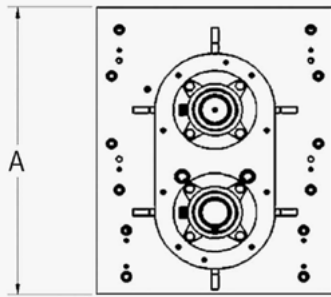
- Eliminates those troublesome cast iron rotary feeders that oftentimes shut down the entire operation due to material packing.
- Minimizes material flow fluctuations, which oftentimes arise from material build up in non-self-cleaning cast-iron valves.
- Self-Cleaning capability allows sticky materials such as lignite coal become an economically viable fuel source.
- Modular design makes repairs simple! Due to the modularity and rebuild capability, the self-cleaning rotary valve continues to provide a positive return on initial investment (ROI) for many years to come!
- Compliant with NFPA 69 and 85 standards

Precision Machine & Manufacturing's components are precisely crafted from raw materials that are made right here in the United States of America!
Quality you can count on!



premach.com

Choose the right size for your unique material handling application.



SIZE	CAPACITY CFR	POWER HP	DIMENSIONS		
			A	B	C
PMDS-8	0.13	1.5	17.00	11.00	50.880
PMDS-10	0.29	1.5	18.00	12.00	55.625
PMDS-12	0.51	3.0	21.00	15.00	60.312
PMDS-14	0.90	3.0	24.00	18.00	63.687
PMDS-16	1.32	5.0	28.00	21.75	63.875
PMDS-18	1.94	5.0	32.00	24.00	68.250
PMDS-20	2.75	5.0	36.00	26.00	69.000
PMDS-18DL	3.87	5.0	32.00	24.00	82.940
PMDS-20DL	5.49	5.0	36.00	26.00	89.000

SEVERE-DUTY

Severe-Duty Self-Cleaning Rotary Valves are our standard rotary valves and the perfect solution when moving abrasive, wet, sticky and/or high-temperature material types.

ULTRA-DUTY

Ultra-Duty Self-Cleaning Rotary Valves are for the most challenging material types! Ultra-Duty Rotary Valves are surface treated with ion-nitride to provide greater abrasion resistance and wear protection from the harshest materials.

STAINLESS STEEL

Stainless Steel is the perfect solution for applications moving corrosive material types such as those found in chemical, pulp & paper and/or mineral processing industrial plants.

**CONTACT
PRECISION
TODAY**

For more information.

541-484-9841
sales@premach.com



PRECISION
MACHINE & MANUFACTURING

1290 S. Bertelsen Road, Eugene, OR 97402



premach.com

