

Simplistic Functionality + EXTREME Versatility = **A Superior Airlock!**

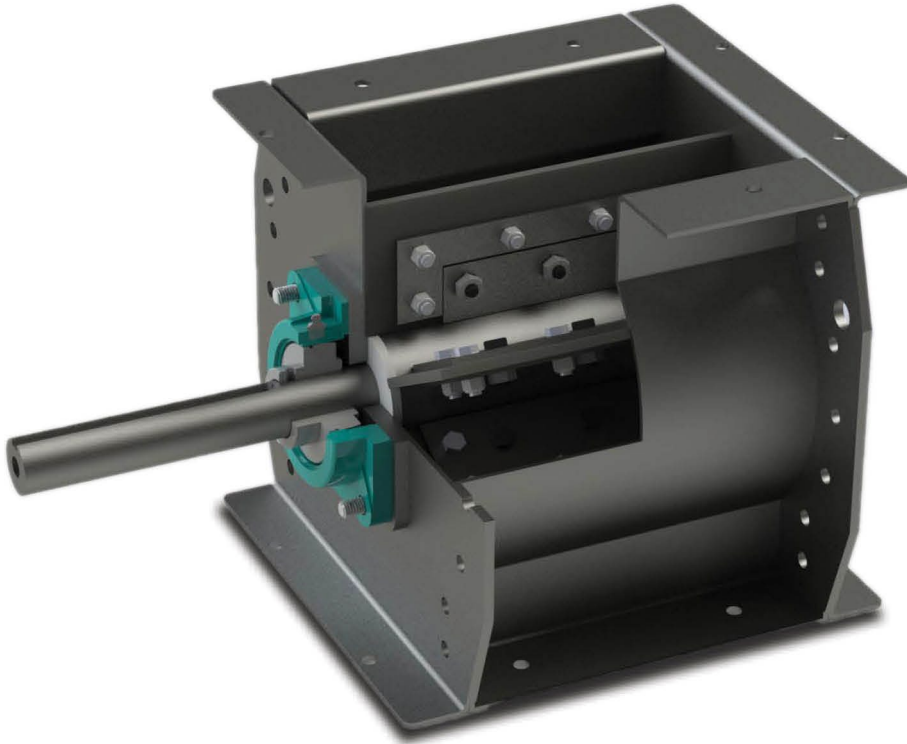


PRECISION

MACHINE & MANUFACTURING

The common rubber-tipped
airlock just **GOT AN UPGRADE!**

ROTARY VALVE AIRLOCK



Simplistic Functionality:

Quick-change replaceable
rubber tips, easy on-site rebuilds,
and a modular design!

Functional Durability!

 premach.com

**“PMM took a common airlock
and made it better!”**



Rotary Feeders • Rotary Valves • Screw Conveyors



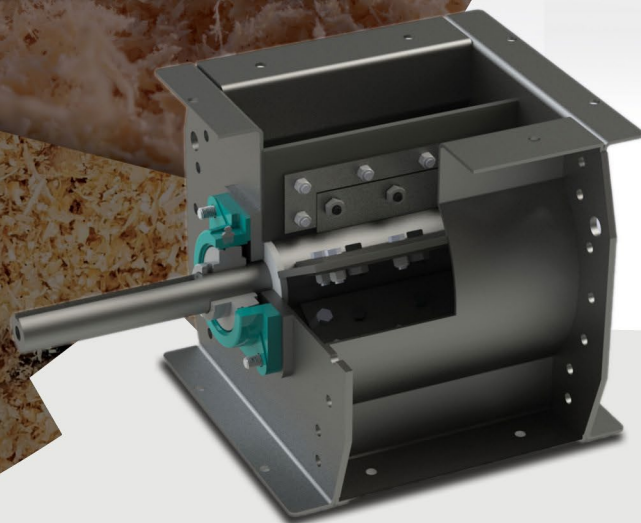
The All-New PMM Light-Duty Airlock with Replaceable Quick Change Rubber Tips. The common "airlock" just got a SERIOUS UPGRADE!

Designed, engineered, and manufactured with simplistic functionality in mind! The Rotary Valve Airlock (PMA) is perfect for light-duty applications and features a variety of innovative features! Among them are:

- The all-new proprietary "cassette style" rotor, which is equipped with quick change rubber blade clamps. This allows the operator to quickly adjust and/or change the rubber tips with inventoried service replacements, dramatically reducing maintenance costs and down time.
- The proven modular design, which is extremely popular with our standard PMV Rotary Valve customers, provides the operator with the ability to quickly repair or replace a specific component, without having to replace the entire unit. This flexibility decreases down-time along with maintenance/replacement costs. However, and most importantly, it increases the return on investment (ROI).
- Service replacements are in-stock and available.

Here at Precision Machine & Manufacturing, we build world-class material handling components.

Over-engineered & Over-built for a reason!



ROTARY VALVE AIRLOCK The All-New Rubber-Tipped Airlock

End Bells

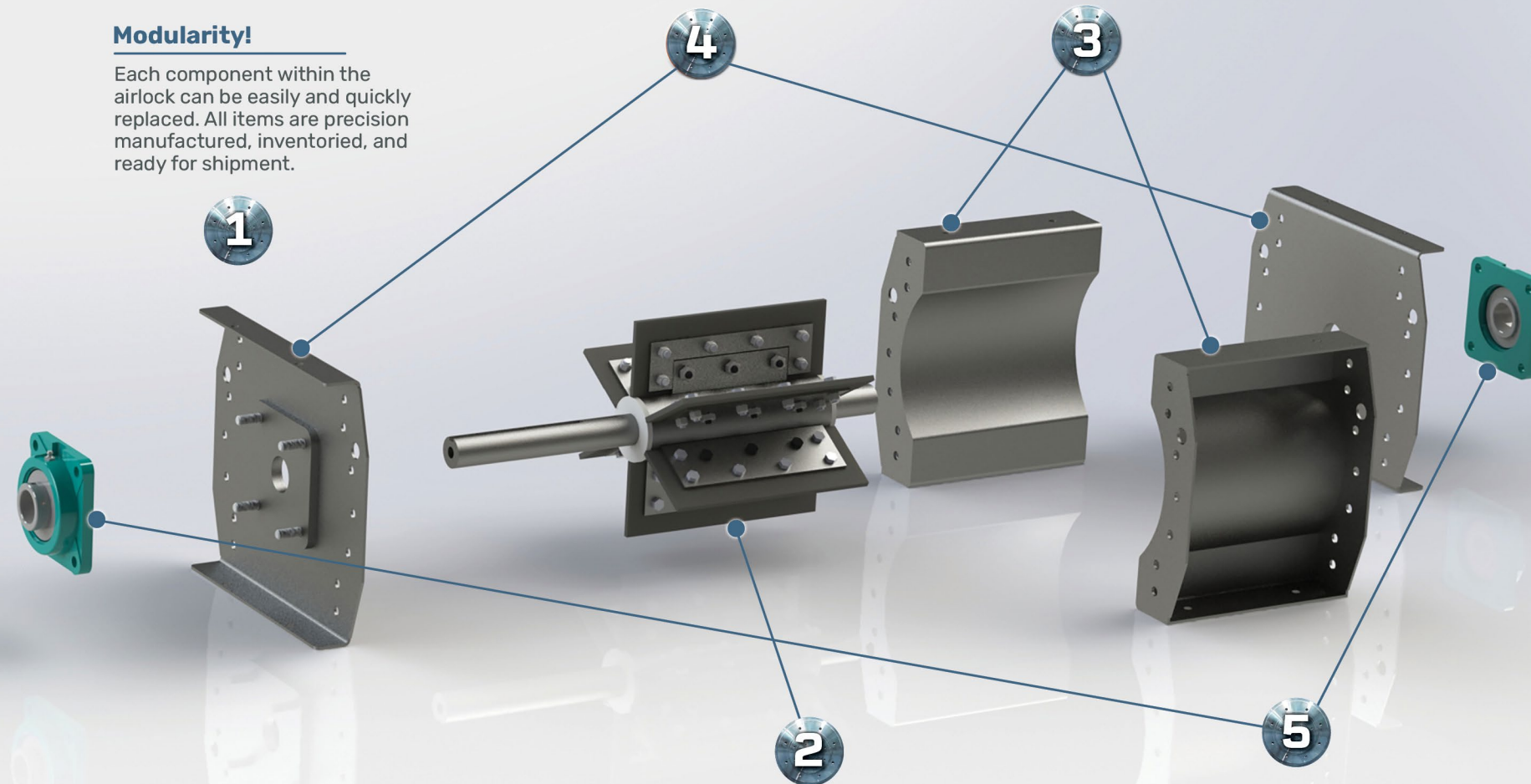
Precisely manufactured to provide proper alignment of the rotor and the installation of a HD outboard tapered roller bearings.

Barrel Sides

The top section of a barrel is the most subjected to wear, so we manufactured each barrel side to have the ability to be flipped when one side is experiencing more wear than the other. When flipped at the correct interval, the barrel side can provide twice the amount of life.

Modularity!

Each component within the airlock can be easily and quickly replaced. All items are precision manufactured, inventoried, and ready for shipment.



Focused Industries



ALL NEW "Cassette Tape" style Rubber Tipped Rotor

At the heart is the revolutionary and all new "cassette tape" style rubber blade clamps, which allows quick detach, adjustment and/or replacement of the worn rubber tips without removing the drive, which is common among most airlocks today. The 1-15/16" shaft with six rotor blades is equipped with precision cut 3-ply rubber tips that are in-stock and readily available.

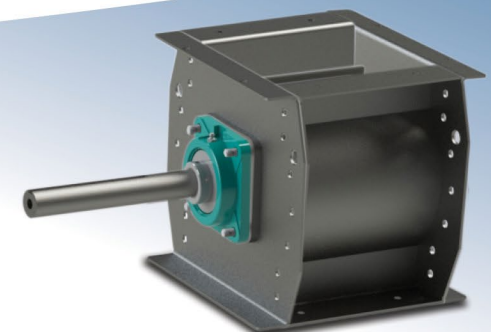
Outboard Bearings

Each airlock is equipped with two heavy-duty Dodge 4-bolt flange bearings, which are fitted with an anti-rotation pin, a DualGuard sealing system, combined with an inner ring setscrew locking system. Easily maintained and replaced when needed.

Modular Design

The modular design makes assembly and disassembly a breeze! Because our rotary valves are manufactured to simplify the repair and rebuild process, wear items can be easily replaced during a scheduled outage, which minimizes production downtime and cost.

No other rotary valve offers this level of functionality and durability in a rebuildable unit!



ROTARY VALVE AIRLOCK Key Advantages

- ✓ **THERE IS NOW A BETTER OPTION!** Eliminate those problematic, maintenance heavy, ill equipped rubber tipped airlocks and replace them with the proven functional durability of PMM's Rotary Valve Airlock.
 - **Modularity:** Built with modularity in mind! Every component can be quickly replaced on-site during a scheduled outage.
 - **Compact Footprint:** Manufactured with the same compact footprint as the PMV Rotary Valve, allowing for an easy upgrade if/when necessary.
 - **New Rubber Tip Design:** The all new "Cassette tape" style rubber blade clamp design makes adjustment and/or replacement of the rotor tips a breeze!
 - **Customizable:** Although the standard is mild steel, it can be manufactured from a variety of materials ranging from stainless steel to abrasion resistant 400 Brinell steel plate.
 - **Outboard Bearings:** Equipped with two heavy-duty outboard bearings, ensures proper shaft alignment and installation of the DualGuard sealing system.

Precision Machine & Manufacturing's components are precisely crafted right here in the United States of America!

Over-Engineered & Over-Built!



 premach.com

Choose the right size for your light duty material handling application.

The Key is in the Details!

Introducing the All-New "Cassette Tape" style rubber blade clamps.

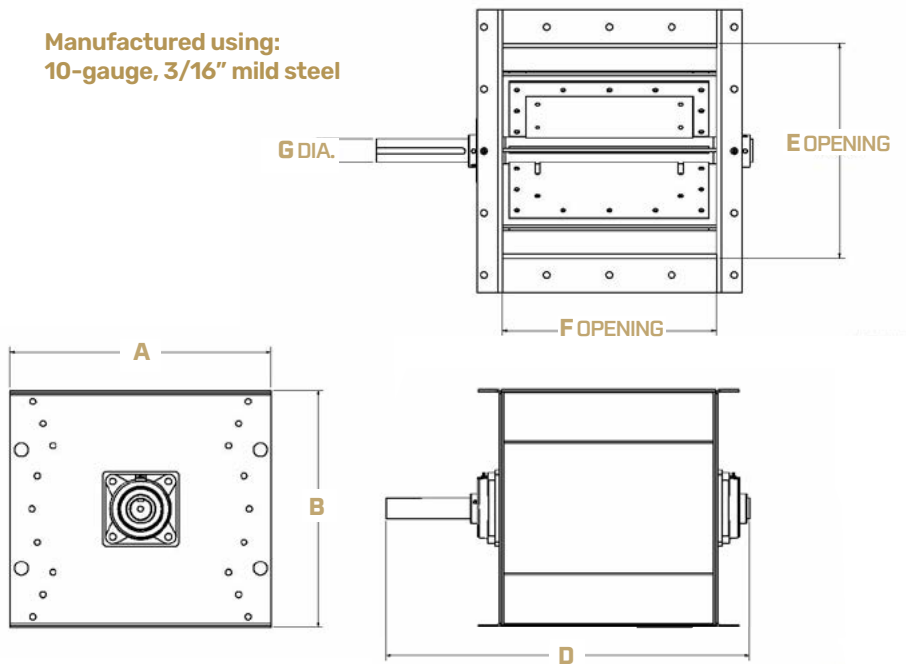
- Allows for quick adjustment and/or replacement of rubber tips!
- No need to remove the drive!
- Standard 3-ply rubber tip service replacements are always in stock!



Perfect for:

- Low PSI applications
- Light Duty
- Under:
 - Baghouses
 - Cyclones
 - Surge hopper conveyors

Manufactured using:
10-gauge, 3/16" mild steel



UNIT SIZE	CAPACITY		DIMENSIONS [inches]				
	CFR	A	B	D	E OPENING	F OPENING	G DIA
PMA-8	0.16	12"	10"	19.535	6-1/2"	8	1-7/16"
PMA-10	0.34	14"	12"	21.535	7"	10	1-7/16"
PMA-12	0.59	16"	15"	23.535	9"	12	1-7/16"
PMA-14	0.99	18"	17"	25.535	9-5/8"	14	1-7/16"
PMA-16	1.5	20"	20"	29.53	10-3/4"	16	1-15/16"
PMA-18	2.2	24"	22"	31.635	18"	18	1-15/16"
PMA-20	3.09	26"	24"	33.635	20-3/8"	20	1-15/16"
PMA-22	4.18	28"	26"	35.635	22"	22	1-15/16"
PMA-24	5.47	32"	29"	40.205	23-9/16"	24	2-7/16"
PMA-26	6.8	34"	32"	42.205	26"	26	2-7/16"
PMA-28	8.7	36"	34"	47.31	28"	28	2-15/16"



**CONTACT
PRECISION
TODAY**

For more information.

541-484-9841
sales@premach.com



PRECISION
MACHINE & MANUFACTURING

1290 S. Bertelsen Road, Eugene, OR 97402