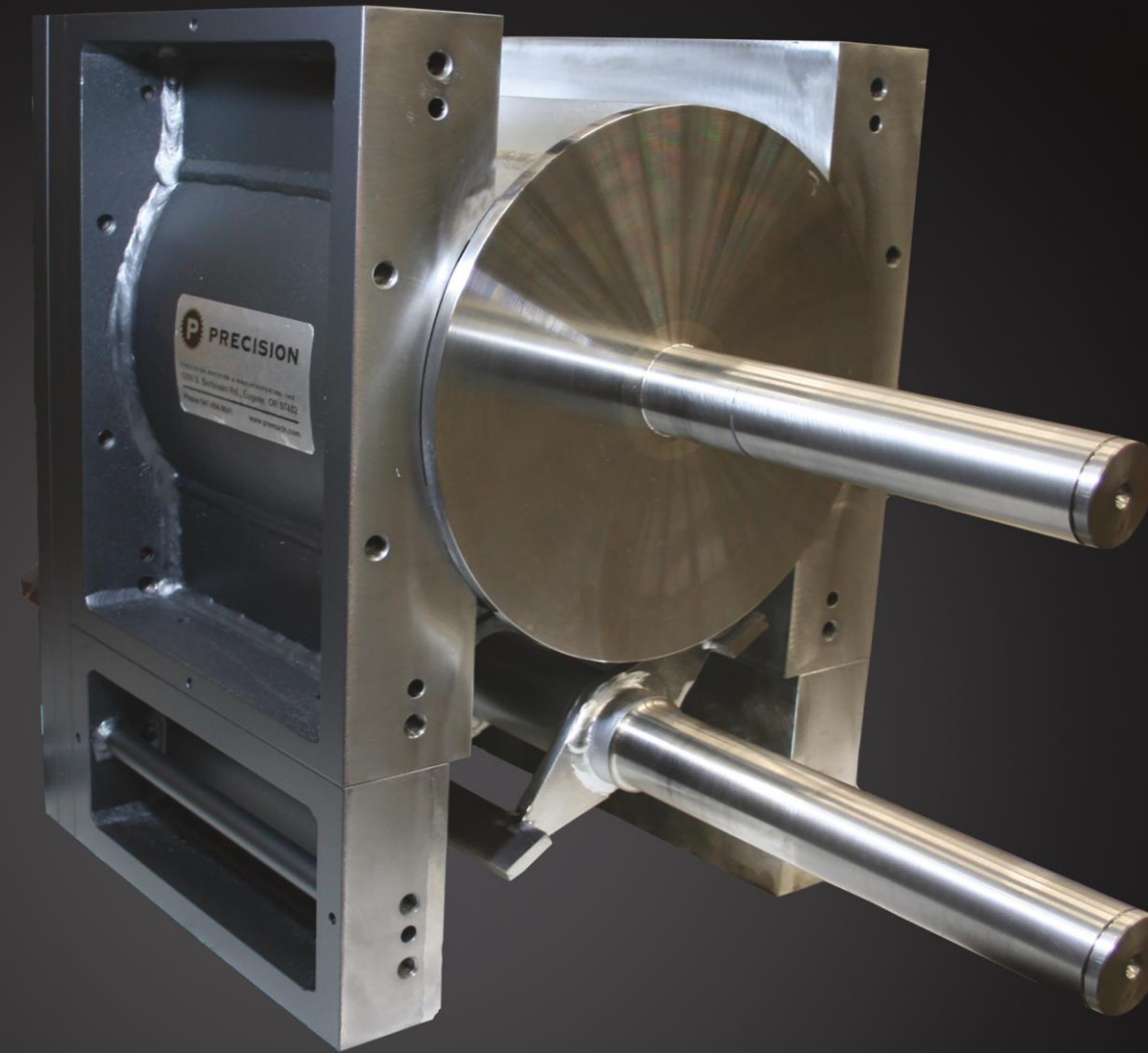


# PMDS

## Self-Cleaning Rotary Valve



Designed to overcome your  
stickiest material handling problems.

## SOLVE YOUR STICKIEST MATERIAL HANDLING PROBLEMS WITH PRECISION'S SELF-CLEANING ROTARY VALVE.

**A Self-Cleaning Rotary Valve? Absolutely!** Material build-up in the pockets of a rotary valve can be a serious problem. Throughput becomes reduced and upsets your process. You've got to stop production and clean out the valve. Downtime is expensive. The Precision PMDS Self-Cleaning rotary valve is a reliable, trouble-free solution to this problem.

### Modular Design

Like its cousin the Precision PMV rotary valve, the PMDS Self-Cleaning Rotary Valve is a modular design. It is a bolt-together rotary valve assembled of components. Tight-tolerance hardened alignment pins and high-strength bolts hold the components in an exact geometry that assures high-performance. Individual component parts can be replaced as they wear out – you do not have to throw out the whole valve.



### Built Precision-Tough.

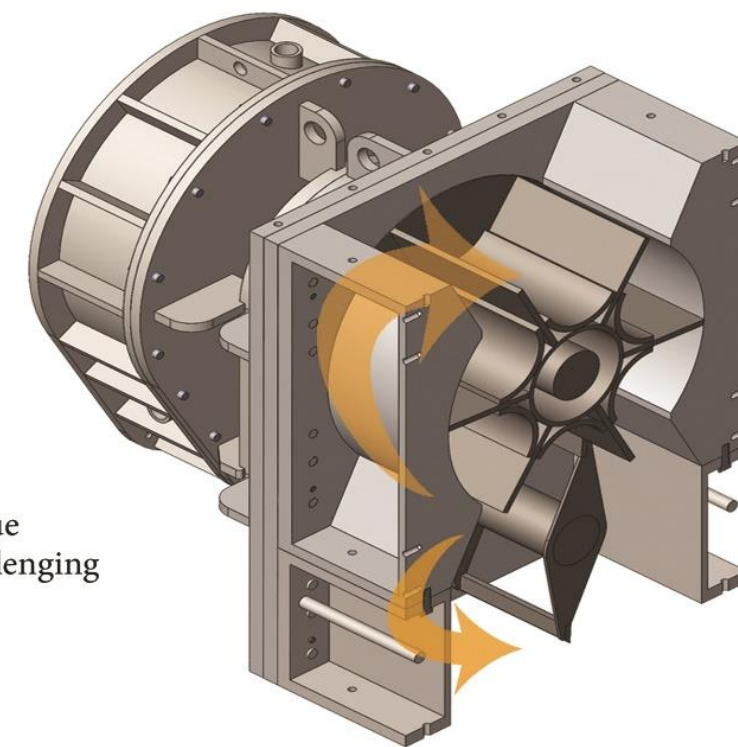
Precision planned for the worst. The PMDS Severe-Duty is constructed with Tri-Braze abrasion-resistant steel for the barrel sides and the rotor. The wear plates and barrel sides are overlaid with an added layer of extreme wear resistance.

The Ultra Duty configuration includes the same Tri-Braze materials with an ion-nitriding process to increase the hardness and durability of all the product-contact components.

Hot applications – up to 500° or more – are possible due to the robust design.

## TWO ROTORS MAKE A DIFFERENCE.

The product rotor has rounded pockets to promote good material release. The scraper or sweeper rotor is timed to sweep each pocket in the product rotor every revolution to prevent material build-up. A robust gear-set keeps the two rotors perfectly synchronized and the Nord shaft-mounted gear-motor supplies the torque to keep the rotors turning through your challenging product.



### SEVERE-DUTY

Recommended for abrasive applications including handling lignite coal, specialty chemicals, or any high moisture material. Suitable for powders or small particulates.

### ULTRA-DUTY

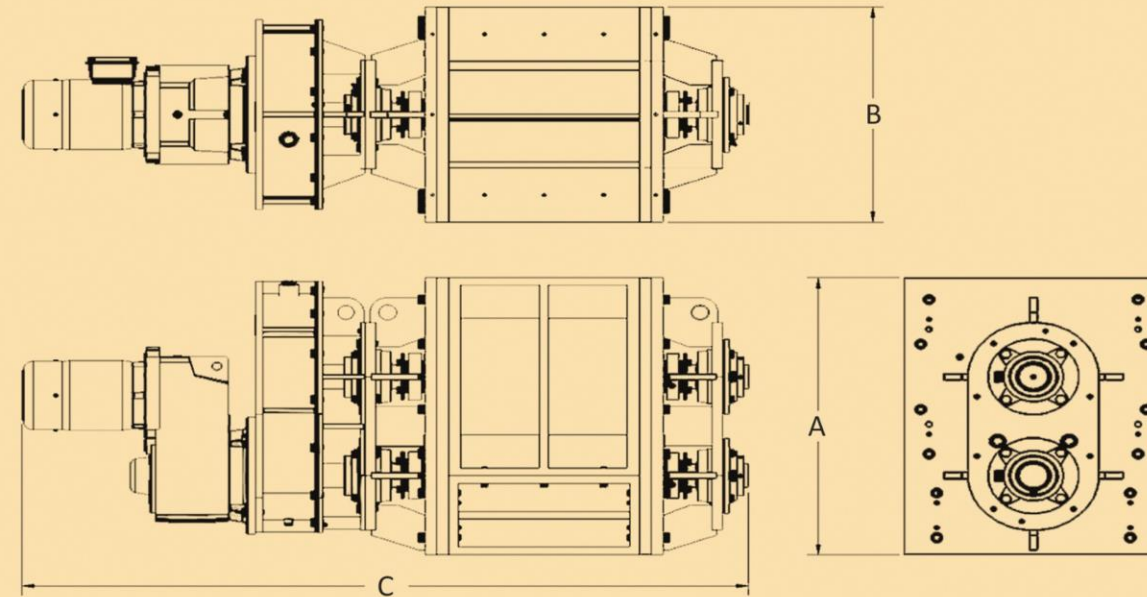
For the most abrasive applications that have created extreme wear in other rotary valves. Also recommended for applications where the presence of chrome is undesirable.

### STAINLESS STEEL

Well-suited to corrosive applications in the chemical, pulp and paper, or mineral industries.



**CHOOSE THE CAPACITY THAT'S RIGHT FOR YOUR APPLICATION**



**CAPACITY - POWER - DIMENSIONS**

SIZE	CFR	HP	A	B	C
PMDS-8	0.13	1.5	17.00	11.00	50.88
PMDS-10	0.29	1.5	18.00	12.00	52.19
PMDS-12	0.51	3.0	21.00	15.00	56.69
PMDS-14	0.90	3.0	24.00	18.00	58.94
PMDS-16	1.32	5.0	28.00	20.00	61.06
PMDS-18	1.94	5.0	32.50	24.00	65.00
PMDS-20	2.75	5.0	36.00	26.00	69.00
PMDS-18DL	3.87	5.0	32.00	24.00	82.94
PMDS-20DL	5.49	5.0	36.00	26.00	88.75



For more information or a quote,  
call toll free 1-800-722-9841  
or email sales@premach.com.

1290 S. Bertelsen Road  
Eugene, Oregon 97402-5700  
541-484-9841 main 541-484-4094 fax



**PMV® MODULAR ROTARY VALVE**



**ROTARY FEEDERS**



**SCREW CONVEYORS**



**CUSTOM MACHINING & FABRICATION**