



PRECISION

PRECISION MACHINE & MANUFACTURING, INC.

Precision MICRO-VALVE



A durable, heavyweight rotary valve for lower capacity applications

Typical throughput of 20 to 1000 lbs. per hour

Suitable for pneumatic conveying applications and adaptable to elevated temperatures

- Two configurations:
- 4140 steel for abrasive applications
 - Stainless steel for corrosive applications

Small but effective.

BUILT LIKE A BIG VALVE. SIZED FOR LOWER VOLUMES. SMALL & EFFECTIVE.

INTELLEGEANT DESIGN

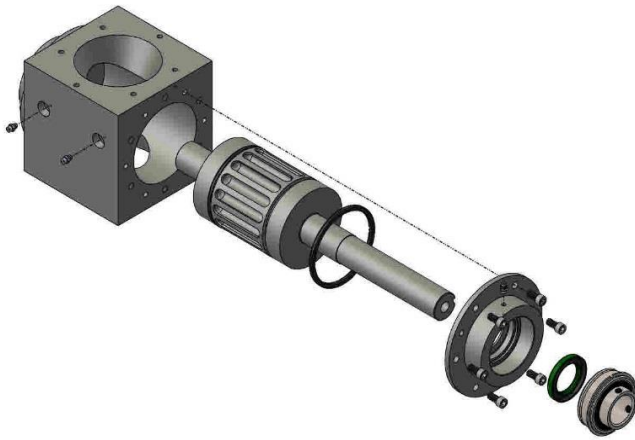
- Dual Direction Rotation
- Four-Piece Assembly
- CNC-Machined Components
- Pocket Designs for Several Capacities
- Minimal Air Loss
- Designed to Minimize Material Build-up

GET THE DURABILITY AND CAPACITY TO FIT YOUR APPLICATION.

The Micro-Valve is available in a number of high quality materials:

- 4140 Abrasive Resistant Steel
- Stainless Steel

The housing bore is industrial hard-chrome plated for maximum durability.



CONFIGURED FOR YOUR APPLICATION:

- Chemicals
- Pulverized Coal
- Powders
- Flour
- Ash
- Minerals

MICRO-VALVE SPECIFICATIONS

Major Inlet Opening	4.0"
Minor Inlet Opening	3.0"
Shaft Diameter	1.25"
OAL	16.5"
Height	6"
Weight	65 lbs.

BUILT PRECISELY FOR MAXIMUM UPTIME™

We have been designing and manufacturing smarter products of unmatched value for over 30 years. Our innovative engineering department and skilled craftspeople work with customers to create unique solutions that give them a competitive edge by increasing throughput, improving efficiency and maximizing uptime. All machining, welding and manufacturing services are performed in the USA. Are you pushing productivity? We can help. Call us.

For more information or a quote, call toll free 1-800-722-9841 or email sales@premach.com



1290 S. Bertelsen Road
Eugene, Oregon 97402-5700
541-484-9841 main
541-484-4094 fax

www.premach.com



PMV® MODULAR ROTARY VALVES

ROTARY FEEDERS

SCREW CONVEYORS

CUSTOM MACHINING & FABRICATION